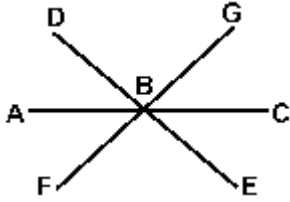


Name _____

Each of the 19 questions is worth 5 points plus 1 points for each of 5 homework problems for a total of 100

Use the figure to find the following.

1) $\overrightarrow{DE} \cup \overrightarrow{BE}$

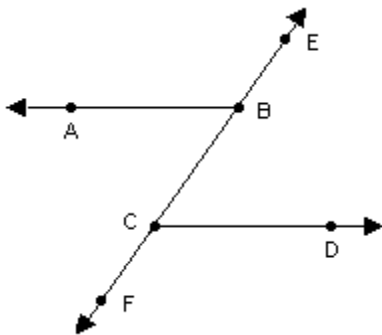


Find the requested angle.

2) Supplement of 25°

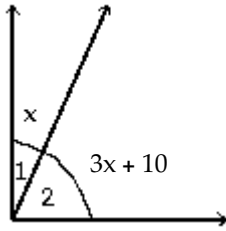
Use the properties of parallel lines to solve the problem.

3) In the figure, $\overline{AB} \parallel \overline{CD}$. $m\angle ABC = 55^\circ$. Find the measures of angles $\angle ABE$, $\angle FCD$, and $\angle BCD$.



Solve the problem.

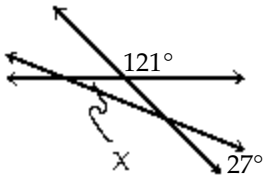
4)



$\angle 1$ and $\angle 2$ are complementary angles. What are the measures of the two angles?

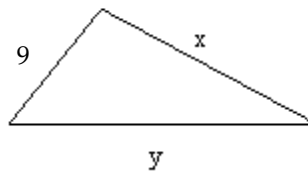
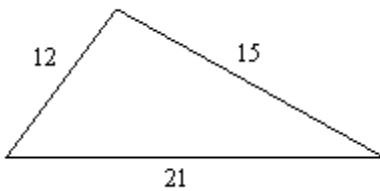
If possible, find the measure of $\angle X$.

5)



The two triangles below are similar. Find the missing lengths.

6)

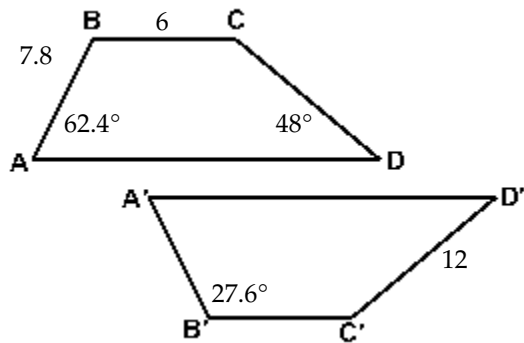


Determine the sum of the measures of the interior angles of the specified polygon.

7) A decagon

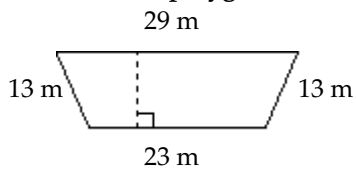
The two figures are congruent. Find the measure of the requested side or angle.

8) The length of \overline{CD}



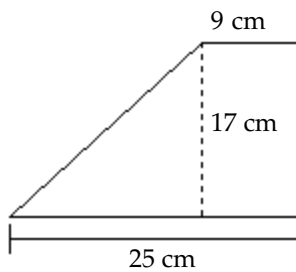
Find the perimeter of the polygon.

9)



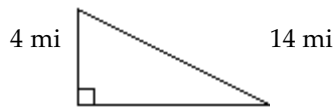
Find the area.

10)



Find the missing length in the right triangle. If necessary, round to the nearest tenth.

11)

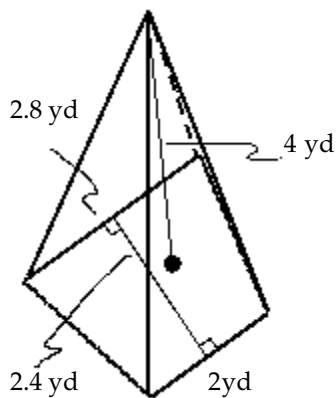


Solve the problem.

12) The shape of a patio is trapezoidal with a height of 11 ft and bases of 18 ft and 12 ft. What is the cost of outdoor carpeting to cover the patio if the carpeting costs \$5.50 per ft²?

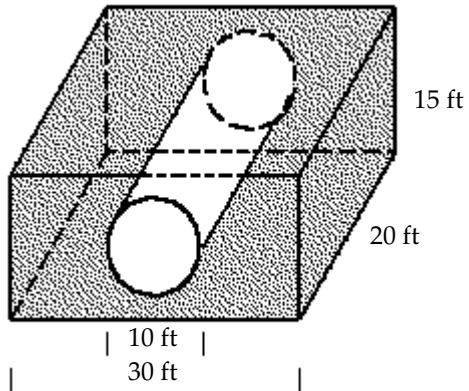
Find the volume of the solid. Round your answer to 2 decimal places if necessary. Use $\pi = 3.14$ when necessary.

13)



Find the volume of the shaded solid. Round your answer to 2 decimal places if necessary. Use $\pi = 3.14$ when necessary.

14)

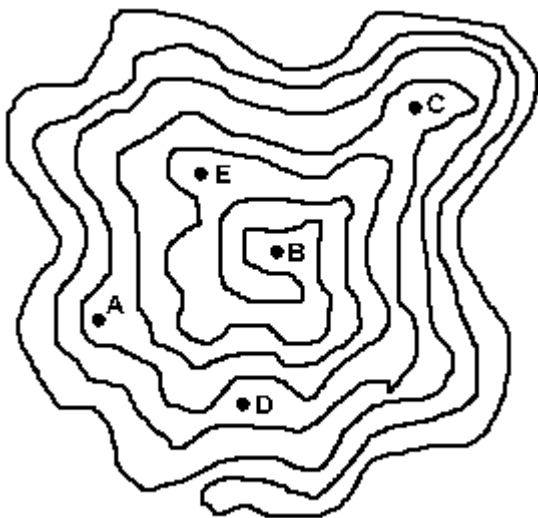


Solve the problem.

15) If a polyhedron has 15 faces and 9 vertices, how many edges does it have?

Determine whether the point is inside or outside the Jordan curve.

16) Point C



Give the genus of the object.

- 17) A garden hose with openings only at each end

Create a graph with the given properties.

- 18) Three even and two odd vertices

Represent the following with a graph.

- 19)

